

PARTS LIST

[KD-G405 / KD-G455]

* All printed circuit boards and its assemblies are not available as service parts.

Area suffix

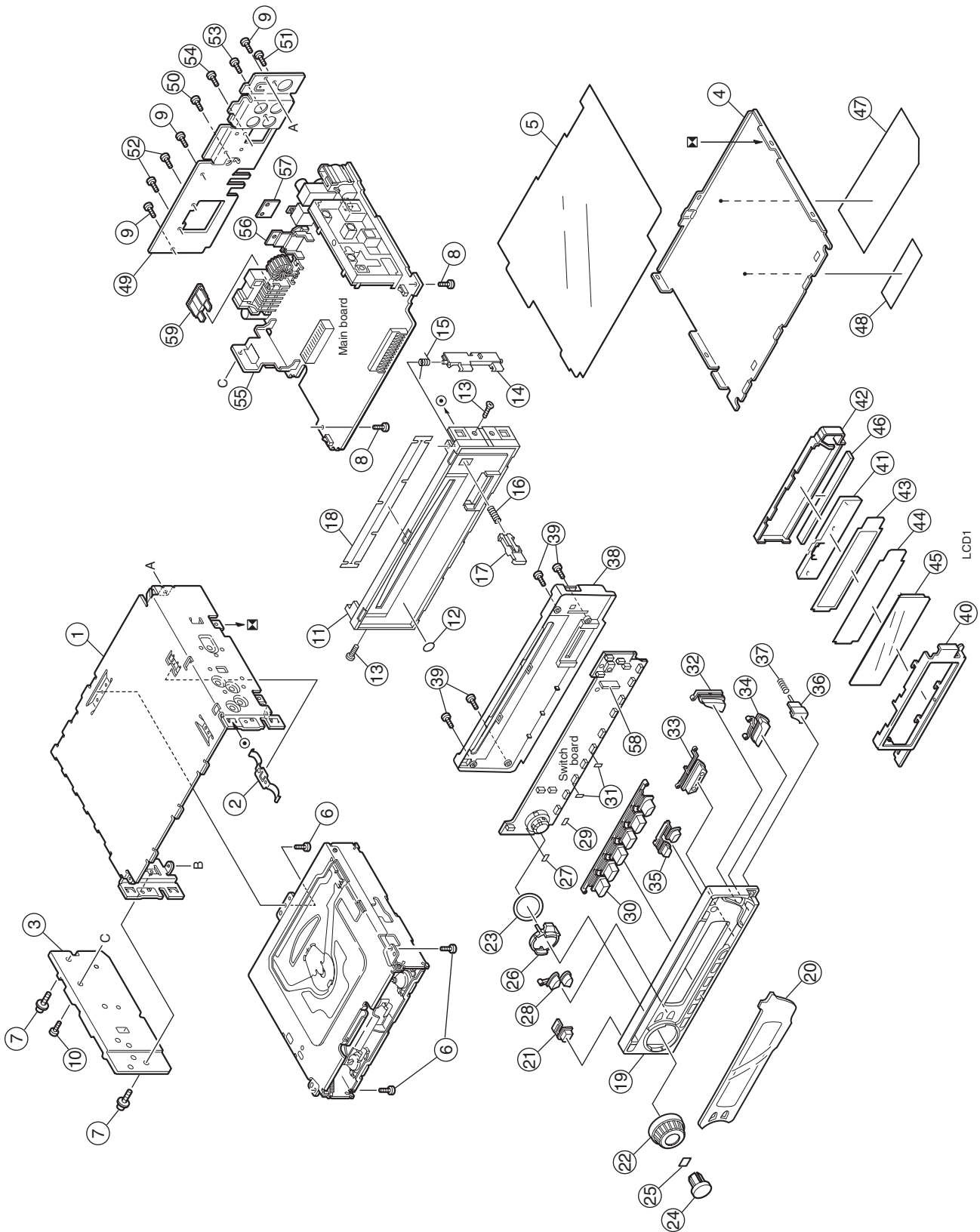
U ----- Other Areas

- Contents -

Exploded view of general assembly and parts list (Block No.M1)	3- 2
CD mechanism assembly and parts list (Block No.MB)	3- 4
Electrical parts list (Block No.01~02)	3- 6
Packing materials and accessories parts list (Block No.M3)	3-12

Exploded view of general assembly and parts list

Block No. M 1 M M



General assembly

Block No. [M][1][M][M]

△ Symbol No.	Part No.	Part Name	Description	Local
1	GE10043-210A	TOP CHASSIS		
2	GE40135-001A	EARTH PLATE		
3	GE30938-003A	SIDE PANEL		
4	GE30393-002A	BOTTOM COVER		
5	FSMA3004-203	INSULATOR		
6	QYSDST2604Z	SCREW	2.6mm x 4mm(x3)	
7	FSKZ4005-001	SCREW	(x2)	
8	QYSDST2606Z	SCREW	2.6mm x 6mm(x2)	
9	QYSDST2604Z	SCREW	2.6mm x 4mm(x3)	
10	QYSDST2610Z	SCREW	2.6mm x 10mm	
11	GE10079-001A	FRONT CHASSIS		
12	FSYH4036-098	SHEET		
13	QYSDST2004M	MINI SCREW	2mm x 4mm(x2)	
14	GE31033-001A	LOCK LEVER		
15	FSKW4005-003	TORSION SPRING		
16	GE40202-005A	COMP.SPRING		
17	GE31034-001A	RLS KNOB		
18	GE40156-001A	BLIND		
19	GE10077-001A	FRONT PANEL		
20	GE31031-018A	FINDER ASSY		G405
20	GE31031-029A	FINDER ASSY		G455
21	GE31027-001A	POWER BUTTON		
22	GE31038-001A	VOLUME KNOB		
23	GE40218-002A	SHEET		
24	GE31039-003A	SEL BUTTON		
25	FSYH4036-053	SHEET		
26	GE31040-001A	RIM LENS		
27	FSYH4036-069	SHEET		
28	GE31029-001A	D.FUNC BTN		
29	FSYH4036-069	SHEET		
30	GE20161-001A	PRESET BUTTON		
31	FSYH4036-069	SHEET	(x2)	
32	GE31024-001A	UP/DOWN BTN		
33	GE31028-003A	SSM BTN		
34	GE31025-001A	SEARCH BTN		
35	GE31026-001A	EJECT BUTTON		
36	GE31032-002A	DETACH BTN		
37	GE40202-003A	COMPRESSION SPRING		
38	GE10078-001A	REAR COVER		
39	VKZ4777-001	MINI SCREW	(x4)	
40	GE31021-001A	LCD CASE		
41	GE31022-002A	LCD LENS		
42	GE31023-001A	LENS CASE		
43	GE40199-001A	LIGHTING SHEET		
44	GE40199-002A	LIGHTING SHEET		
45	QLD0299-001	LCD MODULE		
46	QNZ0443-001	LCD CONNECTOR		
47	GE31089-002A	NAME PLATE		G405
47	GE31222-002A	NAME PLATE		G455
48	LV41843-002A	LASER CAUTION		
49	GE30912-008A	REAR BRACKET		G405
49	GE30912-006A	REAR BRACKET		G455
50	QYSDST2606Z	SCREW	2.6mm x 6mm	
51	QYSDST2606Z	SCREW	2.6mm x 6mm	
52	QYSDSF2606Z	SCREW	2.6mm x 6mm(x2)	
53	QYSDSF2606Z	SCREW	2.6mm x 6mm	
54	QYSDST2606Z	SCREW	2.6mm x 6mm	G455
55	GE40172-004A	IC BRACKET		
56	GE40103-003A	REG BRACKET		
57	GE40107-002A	HEAT SINK		
58	GE30854-001A	LED HOLDER		
△ 59	QMFZ047-150-T	FUSE	15A	

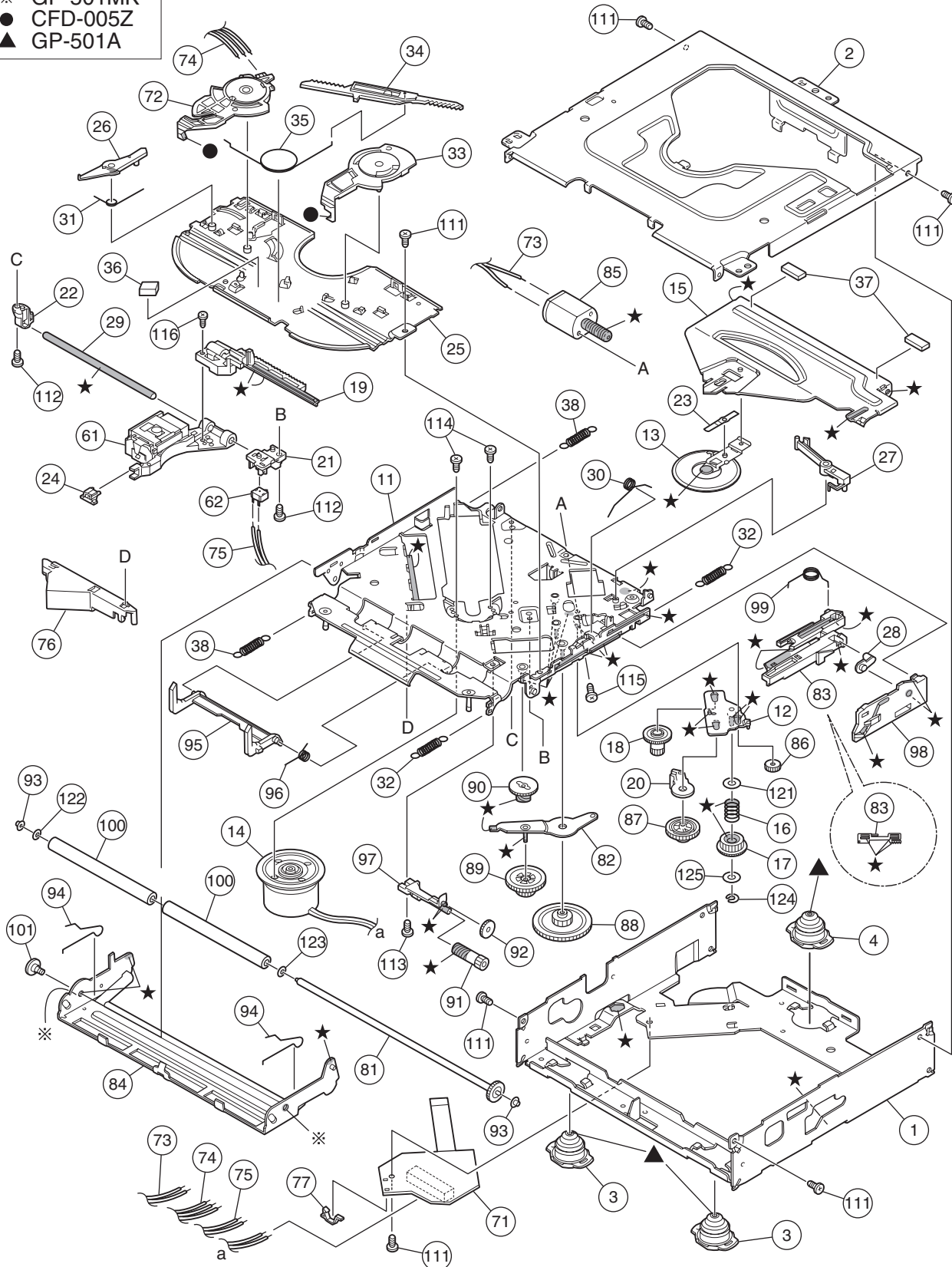
CD mechanism assembly and parts list

Block No. **M B M M**

Grease

- ★ TNG-87
- ※ GP-501MK
- CFD-005Z
- ▲ GP-501A

TN-2001-1011



CD mechanism

Block No. [M][B][M][M]

△ Symbol No.	Part No.	Part Name	Description	Local
1	30320101T	FRAME		
2	30320102T	TOP COVER		
3	30320115T	DANPER F		
4	30320116T	DANPER R		
11	303205505T	CHASSIS RIVET		
12	303205503T	CHANGE P. RVT A		
13	303205301T	CLAMPER ASS'Y		
14	303205302T	SPINDLE MOTOR A		
15	30320502T	CLAMPER ARM		
16	30320503T	CHANGE GEAR SPG		
17	30320505T	CHANGE GEAR 2		
18	30320506T	FEED GEAR		
19	30320507T	FEED RACK		
20	30320509T	CHANGE LOCK RAR		
21	30320510T	FEED SW HOLDER		
22	30320511T	PU SHAFT HOLDER		
23	30320513T	CLAMPER SUB SPG		
24	30320514T	FD SUB HOLDER		
25	30320518T	TOP PLATE		
26	30320519T	SELECT LOCK ARM		
27	30320520T	TRIGGER ARM		
28	30320521T	SLIDE HOOK		
29	30320522T	PU SHAFT		
30	30320525T	CLAMPER ARM SPG		
31	30320526T	SELECT L ARM SP		
32	30320538T	SUSPENSION SP R		
33	30320529T	SELECT ARM R		
34	30320530T	LINK PLATE		
35	30320531T	LINK PLATE SPG		
36	30320523T	CUSHION F		
37	30320524T	CUSHION R		
38	30320539T	SUSPENSION SP L		
61	69011614T	PICKUP OPT-725		
62	64180406T	DET SW ESE22		
71	303210301T	CONN PWB ASS'Y		
72	30321002T	MODE SW		
73	30321003T	LOAD MOTOR WIRE		
74	30321005T	MODE SW WIRE		
75	30321009T	SL WIRE		
76	30321011T	WIRE HOLDER		
77	19501403T	WIRE CLUMPER		
81	303211301T	ROLLER SHAFT AS		
82	303211501T	L GEAR PLATE RV		
83	303211302T	LOADING PLATE A		
84	303211502T	LOCK ARM RV ASS		
85	303211303T	L/F MOTOR ASS'Y		
86	30321101T	LOADING GEAR 1		
87	30321102T	LOADING GEAR 2		
88	30321103T	LOADING GEAR 3		
89	30321104T	LOADING GEAR 4		
90	30321105T	LOADING GEAR 5		
91	30321106T	LOADING GEAR 6		
92	30321107T	LOADING GEAR 7		
93	30321111T	ROLLER GUIDE		
94	30321114T	ROLLER GUIDE SP		
95	30321116T	DISC STOPPER AR		
96	30321117T	DISC ST ARM SPG		
97	30321118T	LD GEAR BRACKET		
98	30321125T	L SIDE PLATE		
99	30321131T	LOAD PLATE SPG		
100	30321133T	LDG ROLLER		
101	18211223T	COLLAR SCREW		
111	9P0420031T	SCREW		
112	9P0420041T	TAP.SCREW		
113	9B0320041T	SCREW		
114	9C0117183T	SCREW		
115	9C0120203T	SCREW		
116	9C0317503T	SCREW		
121	9W0130170T	PW 3.5X8X0.3		
122	9W0513060T	HL WASHER		
123	9W0710070T	L WASHER		
124	9E0100152T	E RING		
125	9W0113020T	PW 2.1X4X0.13		

Electrical parts list

Main board

Block No. [0][1][0][0]

△ Symbol No.	Part No.	Part Name	Description	Local
IC31	TB2118F-X	PLL IC		
IC161	TEA6320T-X	IC		
IC301	LA47515	IC		
IC401	TC94A34FG-002	IC		
IC461	NJU7772F15-X	IC		
IC481	AK4385VT-X	IC		
IC501	LA6242H-X	IC		
IC521	TA2157FN-X	RF AMP IC		
IC541	TC94A14FA	CD LSI IC		
IC581	NJM4565M-WE	IC		
IC701	UPD784217AGC238	IC		
IC702	IC-PST3433U-X	IC		
IC801	HD74HC126FP-X	IC		G455
IC901	AN80T07	IC		
Q1	2SD601A/QR/-X	TRANSISTOR		
Q5	2SB709A/R/-X	TRANSISTOR		
Q6	2SB624/4/-X	TRANSISTOR		
Q7	UN2211-X	TRANSISTOR		
Q10	UN2211-X	TRANSISTOR		
Q31	UN2211-X	TRANSISTOR		
Q341	2SD1781K/QR/-X	TRANSISTOR		
Q351	2SD1781K/QR/-X	TRANSISTOR		
Q401	2SB624/4/-X	TRANSISTOR		
Q402	UN2211-X	TRANSISTOR		
Q430	UN2211-X	TRANSISTOR		
Q440	UN2211-X	TRANSISTOR		
Q501	2SB1322/RS/-T	TRANSISTOR		
Q502	2SB1132/QR/-W	TRANSISTOR		
Q521	2SB1241/QR/-T	TRANSISTOR		
Q541	UN2111-X	TRANSISTOR		
Q542	UN2211-X	TRANSISTOR		
Q543	UN2111-X	TRANSISTOR		
Q781	UN2111-X	TRANSISTOR		
Q782	UN2211-X	TRANSISTOR		
Q784	UN2111-X	TRANSISTOR		
Q976	UN2211-X	TRANSISTOR		
Q977	2SB709A/QR/-X	TRANSISTOR		
D1	1SS355-X	SI DIODE		
D2	1SS355-X	SI DIODE		
D4	1SS355-X	SI DIODE		
D5	1SS355-X	SI DIODE		
D51	1SS355-X	SI DIODE		
D341	1SS355-X	SI DIODE		
D351	1SS355-X	SI DIODE		
D481	UDZS5.1B-X	Z DIODE		
D701	UDZS6.2B-X	Z DIODE		
D702	UDZS6.2B-X	Z DIODE		
D703	UDZS6.2B-X	Z DIODE		
D704	UDZS6.2B-X	Z DIODE		
D705	UDZS6.2B-X	Z DIODE		
D706	UDZS6.2B-X	Z DIODE		
D707	UDZS6.2B-X	Z DIODE		
D708	UDZS6.2B-X	Z DIODE		
D709	UDZS6.2B-X	Z DIODE		
D710	1SS355-X	SI DIODE		
D712	UDZS6.2B-X	Z DIODE		
D713	UDZS6.2B-X	Z DIODE		
D781	1SS355-X	SI DIODE		
D782	1SS355-X	SI DIODE		
D784	UDZS11B-X	Z DIODE		
D901	1N5401-TU-15	DIODE		
D902	1SS355-X	SI DIODE		
D971	RB160M-30-X	SB DIODE		
D972	RB160M-30-X	SB DIODE		
C1	QEKJ1CM-226Z	E CAPACITOR	22uF 16V M	
C2	NCB31EK-473X	C CAPACITOR	0.047uF 25V K	
C3	NCB31EK-103X	C CAPACITOR	0.01uF 25V K	
C4	QEKJ1AM-227Z	E CAPACITOR	220uF 10V M	
C5	QERF1HM-104Z	E CAPACITOR	0.1uF 50V M	

△ Symbol No.	Part No.	Part Name	Description	Local
C6	NCB31HK-103X	C CAPACITOR	0.01uF 50V K	
C7	QEKJ1CM-226Z	E CAPACITOR	22uF 16V M	
C31	QEKJ1AM-107Z	E CAPACITOR	100uF 10V M	
C32	NDC31HJ-470X	C CAPACITOR	47pF 50V J	
C33	QEKJ0JM-476Z	E CAPACITOR	47uF 6.3V M	
C34	NCB31EK-473X	C CAPACITOR	0.047uF 25V K	
C35	NDC31HJ-100X	C CAPACITOR	10pF 50V J	
C36	NDC31HJ-7R0X	C CAPACITOR	7pF 50V J	
C37	NDC31HJ-100X	C CAPACITOR	10pF 50V J	
C38	NCB31HK-102X	C CAPACITOR	1000pF 50V K	
C39	NCB31HK-102X	C CAPACITOR	1000pF 50V K	
C40	QEKJ1CM-106Z	E CAPACITOR	10uF 16V M	
C41	NCB31EK-473X	C CAPACITOR	0.047uF 25V K	
C42	NCB31HK-103X	C CAPACITOR	0.01uF 50V K	
C43	QFV61HJ-473Z	MF CAPACITOR	0.047uF 50V J	
C44	NCB31HK-103X	C CAPACITOR	0.01uF 50V K	
C45	NCB31HK-272X	C CAPACITOR	2700pF 50V K	
C46	NCB31HK-103X	C CAPACITOR	0.01uF 50V K	
C47	NCB31HK-103X	C CAPACITOR	0.01uF 50V K	
C48	NCB31EK-473X	C CAPACITOR	0.047uF 25V K	
C49	NCB31HK-102X	C CAPACITOR	1000pF 50V K	
C50	NDC31HJ-101X	C CAPACITOR	100pF 50V J	
C51	NDC31HJ-331X	C CAPACITOR	330pF 50V J	
C81	QEKJ1HM-105Z	E CAPACITOR	1uF 50V M	
C82	NCB31HK-222X	C CAPACITOR	2200pF 50V K	
C84	NCB31HK-183X	C CAPACITOR	0.018uF 50V K	
C91	QEKJ1HM-105Z	E CAPACITOR	1uF 50V M	
C92	NCB31HK-222X	C CAPACITOR	2200pF 50V K	
C94	NCB31HK-183X	C CAPACITOR	0.018uF 50V K	
C161	QEKJ1HM-105Z	E CAPACITOR	1uF 50V M	
C162	QEKJ1HM-105Z	E CAPACITOR	1uF 50V M	
C163	QEKJ1HM-105Z	E CAPACITOR	1uF 50V M	G455
C164	NCB31HK-822X	C CAPACITOR	8200pF 50V K	
C165	NCB31AK-224X	C CAPACITOR	0.22uF 10V K	
C166	NCB21CK-224X	C CAPACITOR	0.22uF 16V K	
C167	NCB31EK-333X	C CAPACITOR	0.033uF 25V K	
C168	NCB31HK-562X	C CAPACITOR	5600pF 50V K	
C169	QEKJ1EM-475Z	E CAPACITOR	4.7uF 25V M	
C170	QEKJ1EM-475Z	E CAPACITOR	4.7uF 25V M	
C171	QEKJ1HM-105Z	E CAPACITOR	1uF 50V M	
C172	QEKJ1HM-105Z	E CAPACITOR	1uF 50V M	
C173	QEKJ1HM-105Z	E CAPACITOR	1uF 50V M	G455
C174	NCB31HK-822X	C CAPACITOR	8200pF 50V K	
C175	NCB31AK-224X	C CAPACITOR	0.22uF 10V K	
C176	NCB21CK-224X	C CAPACITOR	0.22uF 16V K	
C177	NCB31EK-333X	C CAPACITOR	0.033uF 25V K	
C178	NCB31HK-562X	C CAPACITOR	5600pF 50V K	
C179	QEKJ1EM-475Z	E CAPACITOR	4.7uF 25V M	
C180	QEKJ1EM-475Z	E CAPACITOR	4.7uF 25V M	
C191	QEKJ1CM-476Z	E CAPACITOR	47uF 16V M	
C192	QEKJ1AM-107Z	E CAPACITOR	100uF 10V M	
C193	QEKJ1AM-107Z	E CAPACITOR	100uF 10V M	
C194	NCB31EK-823X	C CAPACITOR	0.082uF 25V K	
C301	QFVD1HJ-474Z	MF CAPACITOR	0.47uF 50V J	
C302	QFVD1HJ-474Z	MF CAPACITOR	0.47uF 50V J	
C303	NCS31HJ-391X	C CAPACITOR	390pF 50V J	
C304	NCS31HJ-391X	C CAPACITOR	390pF 50V J	
C307	QEKJ1HM-105Z	E CAPACITOR	1uF 50V M	
C308	QEKJ1HM-105Z	E CAPACITOR	1uF 50V M	
C311	QFVD1HJ-474Z	MF CAPACITOR	0.47uF 50V J	
C312	QFVD1HJ-474Z	MF CAPACITOR	0.47uF 50V J	
C313	NCS31HJ-391X	C CAPACITOR	390pF 50V J	
C314	NCS31HJ-391X	C CAPACITOR	390pF 50V J	
C315	QEKJ1HM-225Z	E CAPACITOR	2.2uF 50V M	
C316	QEKJ1EM-475Z	E CAPACITOR	4.7uF 25V M	
C317	QEKJ1CM-476Z	E CAPACITOR	47uF 16V M	
C318	QEKJ1CM-226Z	E CAPACITOR	22uF 16V M	
C319	NCB31EK-223X	C CAPACITOR	0.022uF 25V K	
C320	NCB31EK-223X	C CAPACITOR	0.022uF 25V K	
C322	NCB31EK-104X	C CAPACITOR	0.1uF 25V K	
C323	NCB31EK-104X	C CAPACITOR	0.1uF 25V K	
C324	NCB31EK-104X	C CAPACITOR	0.1uF 25V K	
C325	NCB31EK-104X	C CAPACITOR	0.1uF 25V K	
C341	NCB31EK-473X	C CAPACITOR	0.047uF 25V K	
C355	QEKJ1CM-107Z	E CAPACITOR	100uF 16V M	
C357	NCB31EK-473X	C CAPACITOR	0.047uF 25V K	

△ Symbol No.	Part No.	Part Name	Description	Local	△ Symbol No.	Part No.	Part Name	Description	Local
C403	NCB31HK-103X	C CAPACITOR	0.01uF 50V K		C580	QEKJ1EM-475Z	E CAPACITOR	4.7uF 25V M	
C404	NCB31HK-103X	C CAPACITOR	0.01uF 50V K		C581	NCB31HK-332X	C CAPACITOR	3300pF 50V K	
C405	QERF1HM-105Z	E CAPACITOR	1uF 50V M		C582	NDC31HJ-271X	C CAPACITOR	270pF 50V J	
C406	NCB31EK-103X	C CAPACITOR	0.01uF 25V K		C583	NDC31HJ-271X	C CAPACITOR	270pF 50V J	
C407	QERF1AM-107Z	E CAPACITOR	100uF 10V M		C584	NCB31EK-104X	C CAPACITOR	0.1uF 25V K	
C408	NCB31HK-103X	C CAPACITOR	0.01uF 50V K		C585	QEKJ0JM-476Z	E CAPACITOR	47uF 6.3V M	
C411	QEKJ1AM-107Z	E CAPACITOR	100uF 10V M		C589	QEKJ1EM-475Z	E CAPACITOR	4.7uF 25V M	
C412	NCB31HK-103X	C CAPACITOR	0.01uF 50V K		C590	QEKJ1EM-475Z	E CAPACITOR	4.7uF 25V M	
C413	NCB31EK-104X	C CAPACITOR	0.1uF 25V K		C591	NCB31HK-332X	C CAPACITOR	3300pF 50V K	
C414	NCB31HK-222X	C CAPACITOR	2200pF 50V K		C592	NDC31HJ-271X	C CAPACITOR	270pF 50V J	
C415	NCB31EK-104X	C CAPACITOR	0.1uF 25V K		C593	NDC31HJ-271X	C CAPACITOR	270pF 50V J	
C416	QEKJ1AM-107Z	E CAPACITOR	100uF 10V M		C594	NCB31EK-104X	C CAPACITOR	0.1uF 25V K	
C418	NCB31HK-103X	C CAPACITOR	0.01uF 50V K		C595	QEKJ0JM-476Z	E CAPACITOR	47uF 6.3V M	
C419	NDC31HJ-7R0X	C CAPACITOR	7pF 50V J		C596	QEKJ1AM-107Z	E CAPACITOR	100uF 10V M	
C420	NDC31HJ-8R0X	C CAPACITOR	8pF 50V J		C597	NCB31HK-103X	C CAPACITOR	0.01uF 50V K	
C421	NCB31HK-103X	C CAPACITOR	0.01uF 50V K		C599	QEKJ1EM-475Z	E CAPACITOR	4.7uF 25V M	
C422	QEKJ1AM-107Z	E CAPACITOR	100uF 10V M		C701	NDC31HJ-220X	C CAPACITOR	22pF 50V J	
C430	NCB31HK-103X	C CAPACITOR	0.01uF 50V K		C702	NDC31HJ-270X	C CAPACITOR	27pF 50V J	
C440	NCB31HK-103X	C CAPACITOR	0.01uF 50V K		C703	NDC31HJ-270X	C CAPACITOR	27pF 50V J	
C461	NCB31EK-104X	C CAPACITOR	0.1uF 25V K		C704	NDC31HJ-8R0X	C CAPACITOR	8pF 50V J	
C462	QEKJ0JM-107Z	E CAPACITOR	100uF 6.3V M		C705	NCB31EK-473X	C CAPACITOR	0.047uF 25V K	
C463	QEKJ0JM-107Z	E CAPACITOR	100uF 6.3V M		C706	NCB31EK-473X	C CAPACITOR	0.047uF 25V K	
C464	NCB31EK-104X	C CAPACITOR	0.1uF 25V K		C707	NCB31EK-104X	C CAPACITOR	0.1uF 25V K	
C481	QERF1CM-476Z	E CAPACITOR	47uF 16V M		C708	NCB31EK-473X	C CAPACITOR	0.047uF 25V K	
C482	NCB31EK-104X	C CAPACITOR	0.1uF 25V K		C709	NCB31EK-104X	C CAPACITOR	0.1uF 25V K	
C483	NCB31EK-104X	C CAPACITOR	0.1uF 25V K		C710	QERF0JM-476Z	E CAPACITOR	47uF 6.3V M	
C501	QERF1AM-476Z	E CAPACITOR	47uF 10V M		C711	QEKJ0JM-227Z	E CAPACITOR	220uF 6.3V M	
C502	NCB31HK-103X	C CAPACITOR	0.01uF 50V K		C712	NCB31HK-103X	C CAPACITOR	0.01uF 50V K	
C503	QEKJ1AM-107Z	E CAPACITOR	100uF 10V M		C713	NCB31EK-104X	C CAPACITOR	0.1uF 25V K	
C504	NCB31EK-473X	C CAPACITOR	0.047uF 25V K		C716	NCB31EK-104X	C CAPACITOR	0.1uF 25V K	
C505	NCB31EK-473X	C CAPACITOR	0.047uF 25V K		C717	NCB31EK-104X	C CAPACITOR	0.1uF 25V K	
C506	NCB31EK-473X	C CAPACITOR	0.047uF 25V K		C718	NCB31EK-104X	C CAPACITOR	0.1uF 25V K	
C507	NCB31EK-473X	C CAPACITOR	0.047uF 25V K		C770	NCB31EK-473X	C CAPACITOR	0.047uF 25V K	
C510	NCB31EK-103X	C CAPACITOR	0.01uF 25V K		C771	NCB31EK-473X	C CAPACITOR	0.047uF 25V K	
C512	QERF1CM-476Z	E CAPACITOR	47uF 16V M		C772	NCB31EK-473X	C CAPACITOR	0.047uF 25V K	G405
C513	NCB31EK-103X	C CAPACITOR	0.01uF 25V K		C772	NCB31EK-104X	C CAPACITOR	0.1uF 25V K	G455
C514	NCB31EK-103X	C CAPACITOR	0.01uF 25V K		C781	QEKJ0JM-476Z	E CAPACITOR	47uF 6.3V M	
C521	NCB31HK-103X	C CAPACITOR	0.01uF 50V K		C782	NCB31EK-823X	C CAPACITOR	0.082uF 25V K	
C522	NCB31HK-103X	C CAPACITOR	0.01uF 50V K		C784	QEKJ1CM-107Z	E CAPACITOR	100uF 16V M	
C523	QEKJ1AM-107Z	E CAPACITOR	100uF 10V M		C801	NCB31EK-473X	C CAPACITOR	0.047uF 25V K	G455
C524	NCB31HK-103X	C CAPACITOR	0.01uF 50V K		C802	NCB31HK-103X	C CAPACITOR	0.01uF 50V K	G455
C525	QEKJ1AM-107Z	E CAPACITOR	100uF 10V M		C901	QEZ0622-338	E CAPACITOR	3300uF	
C527	NCB31HK-682X	C CAPACITOR	6800pF 50V K		C902	QEKJ1HM-225Z	E CAPACITOR	2.2uF 50V M	
C528	NCB31HK-103X	C CAPACITOR	0.01uF 50V K		C903	QEKJ1CM-226Z	E CAPACITOR	22uF 16V M	
C529	QEKJ1AM-107Z	E CAPACITOR	100uF 10V M		C904	QEKJ1CM-106Z	E CAPACITOR	10uF 16V M	
C530	NCB31EK-104X	C CAPACITOR	0.1uF 25V K		C905	QEKJ1CM-476Z	E CAPACITOR	47uF 16V M	
C531	NCB31EK-104X	C CAPACITOR	0.1uF 25V K		C906	NCB31HK-103X	C CAPACITOR	0.01uF 50V K	
C532	NDC31HJ-680X	C CAPACITOR	68pF 50V J		C907	QEKJ1AM-227Z	E CAPACITOR	220uF 10V M	
C533	NCB31HK-103X	C CAPACITOR	0.01uF 50V K		C908	QEKJ1AM-227Z	E CAPACITOR	220uF 10V M	
C534	NDC31HJ-5R0X	C CAPACITOR	5pF 50V J		C909	QEKJ1AM-227Z	E CAPACITOR	220uF 10V M	
C541	QEKJ1AM-107Z	E CAPACITOR	100uF 10V M		C910	QEKJ1CM-476Z	E CAPACITOR	47uF 16V M	
C542	NCB31HK-103X	C CAPACITOR	0.01uF 50V K		C911	NCB31CK-104X	C CAPACITOR	0.1uF 16V K	
C543	QEKJ1HM-105Z	E CAPACITOR	1uF 50V M		C912	NCB31HK-103X	C CAPACITOR	0.01uF 50V K	
C544	QEKJ1AM-107Z	E CAPACITOR	100uF 10V M		C913	QEKJ1CM-106Z	E CAPACITOR	10uF 16V M	
C545	NCB31HK-103X	C CAPACITOR	0.01uF 50V K		C914	QEKJ1CM-107Z	E CAPACITOR	100uF 16V M	
C546	NDC31HJ-470X	C CAPACITOR	47pF 50V J		C915	NCB31CK-104X	C CAPACITOR	0.1uF 16V K	
C547	NCB31HK-153X	C CAPACITOR	0.015uF 50V K		C919	QEKJ1CM-106Z	E CAPACITOR	10uF 16V M	
C548	NCB31HK-103X	C CAPACITOR	0.01uF 50V K		C961	NDC31HJ-101X	C CAPACITOR	100pF 50V J	
C549	NCB31HK-272X	C CAPACITOR	2700pF 50V K		C962	NDC31HJ-101X	C CAPACITOR	100pF 50V J	
C550	NCB31HK-103X	C CAPACITOR	0.01uF 50V K		C963	NDC31HJ-101X	C CAPACITOR	100pF 50V J	
C551	NCB31EK-333X	C CAPACITOR	0.033uF 25V K		C964	NDC31HJ-101X	C CAPACITOR	100pF 50V J	
C552	NCB31EK-333X	C CAPACITOR	0.033uF 25V K		C965	NDC31HJ-101X	C CAPACITOR	100pF 50V J	
C553	NCB31EK-473X	C CAPACITOR	0.047uF 25V K		C966	NDC31HJ-101X	C CAPACITOR	100pF 50V J	
C554	NCB31EK-473X	C CAPACITOR	0.047uF 25V K		C967	NDC31HJ-101X	C CAPACITOR	100pF 50V J	
C555	NCB31EK-473X	C CAPACITOR	0.047uF 25V K		C968	NDC31HJ-101X	C CAPACITOR	100pF 50V J	
C556	NCB31HK-471X	C CAPACITOR	470pF 50V K		C971	NCB31EK-104X	C CAPACITOR	0.1uF 25V K	
C557	NCB31HK-471X	C CAPACITOR	470pF 50V K						
C558	NCB31EK-473X	C CAPACITOR	0.047uF 25V K		R1	NRS181J-120X	MG RESISTOR	12Ω 1/8W J	
C559	NCB31EK-473X	C CAPACITOR	0.047uF 25V K		R2	NRSA63J-473X	MG RESISTOR	47kΩ 1/16W J	
C560	NCB31HK-103X	C CAPACITOR	0.01uF 50V K		R4	NRSA63J-332X	MG RESISTOR	3.3kΩ 1/16W J	
C561	QEKJ1AM-107Z	E CAPACITOR	100uF 10V M		R5	NRSA63J-473X	MG RESISTOR	47kΩ 1/16W J	
C562	NCB31HK-103X	C CAPACITOR	0.01uF 50V K		R6	NRSA63J-473X	MG RESISTOR	47kΩ 1/16W J	
C565	NCB31HK-103X	C CAPACITOR	0.01uF 50V K		R7	NRSA63J-472X	MG RESISTOR	4.7kΩ 1/16W J	
C566	QEKJ1AM-107Z	E CAPACITOR	100uF 10V M		R9	NRSA63J-470X	MG RESISTOR	47Ω 1/16W J	
C568	NCB31EK-104X	C CAPACITOR	0.1uF 25V K		R10	NRSA63J-103X	MG RESISTOR	10kΩ 1/16W J	
C570	QERF1AM-476Z	E CAPACITOR	47uF 10V M		R31	NRS181J-100X	MG RESISTOR	10Ω 1/8W J	
C571	NCB31HK-103X	C CAPACITOR	0.01uF 50V K		R32	NRSA63J-622X	MG RESISTOR	6.2kΩ 1/16W J	
C572	QERF1AM-107Z	E CAPACITOR	100uF 10V M		R33	NRSA63J-103X	MG RESISTOR	10kΩ 1/16W J	

△ Symbol No.	Part No.	Part Name	Description	Local	△ Symbol No.	Part No.	Part Name	Description	Local
R34	NRSA63J-222X	MG RESISTOR	2.2kΩ 1/16W J		R517	NRSA63J-512X	MG RESISTOR	5.1kΩ 1/16W J	
R35	NRSA63J-222X	MG RESISTOR	2.2kΩ 1/16W J		R518	NRSA02J-822X	MG RESISTOR	8.2kΩ 1/10W J	
R36	NRSA63J-222X	MG RESISTOR	2.2kΩ 1/16W J		R523	NRSA63J-823X	MG RESISTOR	82kΩ 1/16W J	
R37	NRSA63J-222X	MG RESISTOR	2.2kΩ 1/16W J		R524	NRSA63J-823X	MG RESISTOR	82kΩ 1/16W J	
R38	NRSA63J-101X	MG RESISTOR	100Ω 1/16W J		R525	NRSA63J-334X	MG RESISTOR	330kΩ 1/16W J	
R39	NRSA63J-0R0X	MG RESISTOR	0Ω 1/16W J		R526	NRSA63J-334X	MG RESISTOR	330kΩ 1/16W J	
R40	NRSA63J-393X	MG RESISTOR	39kΩ 1/16W J		R527	NRSA02J-220X	MG RESISTOR	22Ω 1/10W J	
R41	NRSA63J-103X	MG RESISTOR	10kΩ 1/16W J		R528	NRSA02J-220X	MG RESISTOR	22Ω 1/10W J	
R42	NRS181J-100X	MG RESISTOR	10Ω 1/8W J		R529	NRSA63J-823X	MG RESISTOR	82kΩ 1/16W J	
R43	NRSA63J-471X	MG RESISTOR	470Ω 1/16W J		R530	NRSA63J-563X	MG RESISTOR	56kΩ 1/16W J	
R44	NRSA63J-221X	MG RESISTOR	220Ω 1/16W J		R531	NRSA63J-103X	MG RESISTOR	10kΩ 1/16W J	
R51	NRSA63J-273X	MG RESISTOR	27kΩ 1/16W J		R532	NRSA63J-202X	MG RESISTOR	2kΩ 1/16W J	
R52	NRSA63J-104X	MG RESISTOR	100kΩ 1/16W J		R533	NRSA63J-102X	MG RESISTOR	1kΩ 1/16W J	
R81	NRSA63J-122X	MG RESISTOR	1.2kΩ 1/16W J		R534	NRSA63J-153X	MG RESISTOR	15kΩ 1/16W J	
R82	NRSA63J-752X	MG RESISTOR	7.5kΩ 1/16W J		R535	NRSA63J-101X	MG RESISTOR	100Ω 1/16W J	
R91	NRSA63J-122X	MG RESISTOR	1.2kΩ 1/16W J		R536	NRSA63J-821X	MG RESISTOR	820Ω 1/16W J	
R92	NRSA63J-752X	MG RESISTOR	7.5kΩ 1/16W J		R537	NRSA63J-0R0X	MG RESISTOR	0Ω 1/16W J	
R162	NRSA63J-223X	MG RESISTOR	22kΩ 1/16W J		R539	NRSA02J-151X	MG RESISTOR	150Ω 1/10W J	
R163	NRSA63J-222X	MG RESISTOR	2.2kΩ 1/16W J		R541	NRSA63J-562X	MG RESISTOR	5.6kΩ 1/16W J	
R164	NRSA63J-473X	MG RESISTOR	47kΩ 1/16W J		R542	NRSA63J-473X	MG RESISTOR	47kΩ 1/16W J	
R165	NRSA63J-473X	MG RESISTOR	47kΩ 1/16W J		R543	NRSA63J-474X	MG RESISTOR	470kΩ 1/16W J	
R172	NRSA63J-223X	MG RESISTOR	22kΩ 1/16W J		R544	NRSA63J-103X	MG RESISTOR	10kΩ 1/16W J	
R173	NRSA63J-222X	MG RESISTOR	2.2kΩ 1/16W J		R545	NRSA63J-103X	MG RESISTOR	10kΩ 1/16W J	
R174	NRSA63J-473X	MG RESISTOR	47kΩ 1/16W J		R546	NRSA63J-0R0X	MG RESISTOR	0Ω 1/16W J	
R175	NRSA63J-473X	MG RESISTOR	47kΩ 1/16W J		R547	NRSA63J-0R0X	MG RESISTOR	0Ω 1/16W J	
R181	NRSA63J-271X	MG RESISTOR	270Ω 1/16W J		R548	NRSA63J-0R0X	MG RESISTOR	0Ω 1/16W J	
R182	NRSA63J-271X	MG RESISTOR	270Ω 1/16W J		R549	NRSA63J-101X	MG RESISTOR	100Ω 1/16W J	
R301	NRSA63J-273X	MG RESISTOR	27kΩ 1/16W J		R550	NRSA63J-101X	MG RESISTOR	100Ω 1/16W J	
R302	NRSA63J-273X	MG RESISTOR	27kΩ 1/16W J		R551	NRSA63J-101X	MG RESISTOR	100Ω 1/16W J	
R311	NRSA63J-273X	MG RESISTOR	27kΩ 1/16W J		R552	NRSA63J-101X	MG RESISTOR	100Ω 1/16W J	
R312	NRSA63J-273X	MG RESISTOR	27kΩ 1/16W J		R553	NRSA63J-105X	MG RESISTOR	1MΩ 1/16W J	
R341	NRSA63J-222X	MG RESISTOR	2.2kΩ 1/16W J		R554	NRSA63J-103X	MG RESISTOR	10kΩ 1/16W J	
R342	NRSA63J-821X	MG RESISTOR	820Ω 1/16W J		R555	NRSA63J-103X	MG RESISTOR	10kΩ 1/16W J	
R343	NRSA63J-101X	MG RESISTOR	100Ω 1/16W J		R556	NRSA63J-103X	MG RESISTOR	10kΩ 1/16W J	
R351	NRSA63J-222X	MG RESISTOR	2.2kΩ 1/16W J		R557	NRSA63J-103X	MG RESISTOR	10kΩ 1/16W J	
R352	NRSA63J-821X	MG RESISTOR	820Ω 1/16W J		R558	NRSA63J-103X	MG RESISTOR	10kΩ 1/16W J	
R353	NRSA63J-101X	MG RESISTOR	100Ω 1/16W J		R559	NRSA63J-155X	MG RESISTOR	1.5MΩ 1/16W J	
R402	NRSA63J-470X	MG RESISTOR	47Ω 1/16W J		R581	NRSA63J-822X	MG RESISTOR	8.2kΩ 1/16W J	
R404	NRSA63J-103X	MG RESISTOR	10kΩ 1/16W J		R582	NRSA63J-822X	MG RESISTOR	8.2kΩ 1/16W J	
R405	NRSA63J-225X	MG RESISTOR	2.2MΩ 1/16W J		R583	NRSA63J-822X	MG RESISTOR	8.2kΩ 1/16W J	
R406	NRSA63J-470X	MG RESISTOR	47Ω 1/16W J		R584	NRSA63J-181X	MG RESISTOR	180Ω 1/16W J	
R407	NRSA63J-222X	MG RESISTOR	2.2kΩ 1/16W J		R585	NRSA63J-181X	MG RESISTOR	180Ω 1/16W J	
R408	NRSA63J-222X	MG RESISTOR	2.2kΩ 1/16W J		R586	NRSA63J-682X	MG RESISTOR	6.8kΩ 1/16W J	
R409	NRSA63J-222X	MG RESISTOR	2.2kΩ 1/16W J		R587	NRSA63J-102X	MG RESISTOR	1kΩ 1/16W J	
R412	NRSA63J-472X	MG RESISTOR	4.7kΩ 1/16W J		R588	NRSA63J-102X	MG RESISTOR	1kΩ 1/16W J	
R413	NRSA63J-472X	MG RESISTOR	4.7kΩ 1/16W J		R591	NRSA63J-822X	MG RESISTOR	8.2kΩ 1/16W J	
R414	NRSA63J-472X	MG RESISTOR	4.7kΩ 1/16W J		R592	NRSA63J-822X	MG RESISTOR	8.2kΩ 1/16W J	
R415	NRSA63J-473X	MG RESISTOR	47kΩ 1/16W J		R593	NRSA63J-822X	MG RESISTOR	8.2kΩ 1/16W J	
R416	NRSA63J-222X	MG RESISTOR	2.2kΩ 1/16W J		R594	NRSA63J-181X	MG RESISTOR	180Ω 1/16W J	
R423	NRSA63J-103X	MG RESISTOR	10kΩ 1/16W J		R595	NRSA63J-181X	MG RESISTOR	180Ω 1/16W J	
R424	NRSA63J-221X	MG RESISTOR	220Ω 1/16W J		R596	NRSA63J-682X	MG RESISTOR	6.8kΩ 1/16W J	
R430	NRSA63J-472X	MG RESISTOR	4.7kΩ 1/16W J		R597	NRSA63J-102X	MG RESISTOR	1kΩ 1/16W J	
R440	NRSA63J-472X	MG RESISTOR	4.7kΩ 1/16W J		R598	NRSA63J-102X	MG RESISTOR	1kΩ 1/16W J	
R451	NRSA63J-223X	MG RESISTOR	22kΩ 1/16W J		R701	NRSA63J-473X	MG RESISTOR	47kΩ 1/16W J	
R452	NRSA63J-473X	MG RESISTOR	47kΩ 1/16W J		R702	NRSA63J-0R0X	MG RESISTOR	0Ω 1/16W J	
R453	NRSA63J-222X	MG RESISTOR	2.2kΩ 1/16W J		R703	NRSA63J-0R0X	MG RESISTOR	0Ω 1/16W J	
R454	NRSA63J-472X	MG RESISTOR	4.7kΩ 1/16W J		R704	NRSA63J-473X	MG RESISTOR	47kΩ 1/16W J	
R455	NRSA63J-222X	MG RESISTOR	2.2kΩ 1/16W J		R705	NRSA63J-473X	MG RESISTOR	47kΩ 1/16W J	
R456	NRSA63J-272X	MG RESISTOR	2.7kΩ 1/16W J		R708	NRSA63J-332X	MG RESISTOR	3.3kΩ 1/16W J	
R457	NRSA63J-222X	MG RESISTOR	2.2kΩ 1/16W J		R709	NRSA63J-473X	MG RESISTOR	47kΩ 1/16W J	
R458	NRSA63J-472X	MG RESISTOR	4.7kΩ 1/16W J		R710	NRSA63J-471X	MG RESISTOR	470Ω 1/16W J	
R461	NRSA63J-101X	MG RESISTOR	100Ω 1/16W J		R711	NRSA63J-471X	MG RESISTOR	470Ω 1/16W J	
R462	NRSA63J-101X	MG RESISTOR	100Ω 1/16W J		R712	NRSA63J-471X	MG RESISTOR	470Ω 1/16W J	
R481	NRSA63J-181X	MG RESISTOR	180Ω 1/16W J		R713	NRSA63J-471X	MG RESISTOR	470Ω 1/16W J	
R501	NRSA63J-333X	MG RESISTOR	33kΩ 1/16W J		R714	NRSA63J-103X	MG RESISTOR	10kΩ 1/16W J	
R502	NRSA63J-822X	MG RESISTOR	8.2kΩ 1/16W J		R715	NRSA63J-471X	MG RESISTOR	470Ω 1/16W J	
R503	NRSA63J-472X	MG RESISTOR	4.7kΩ 1/16W J		R716	NRSA63J-471X	MG RESISTOR	470Ω 1/16W J	
R504	NRSA63J-153X	MG RESISTOR	15kΩ 1/16W J		R717	NRSA63J-471X	MG RESISTOR	470Ω 1/16W J	
R507	NRSA63J-682X	MG RESISTOR	6.8kΩ 1/16W J		R719	NRSA63J-0R0X	MG RESISTOR	0Ω 1/16W J	
R508	NRSA63J-302X	MG RESISTOR	3kΩ 1/16W J		R720	NRSA63J-122X	MG RESISTOR	1.2kΩ 1/16W J	
R509	NRSA63J-123X	MG RESISTOR	12kΩ 1/16W J		R721	NRSA63J-102X	MG RESISTOR	1kΩ 1/16W J	
R510	NRSA63J-822X	MG RESISTOR	8.2kΩ 1/16W J		R722	NRSA63J-103X	MG RESISTOR	10kΩ 1/16W J	
R511	NRSA63J-152X	MG RESISTOR	1.5kΩ 1/16W J		R723	NRSA63J-103X	MG RESISTOR	10kΩ 1/16W J	
R512	NRSA63J-152X	MG RESISTOR	1.5kΩ 1/16W J		R725	NRSA63J-103X	MG RESISTOR	10kΩ 1/16W J	
R513	NRSA63J-152X	MG RESISTOR	1.5kΩ 1/16W J		R726	NRSA63J-103X	MG RESISTOR	10kΩ 1/16W J	
R514	NRSA02J-0R0X	MG RESISTOR	0Ω 1/10W J		R728	NRSA63J-103X	MG RESISTOR	10kΩ 1/16W J	
R515	NRSA02J-0R0X	MG RESISTOR	0Ω 1/10W J		R729	NRSA63J-473X	MG RESISTOR	47kΩ 1/16W J	
R516	NRSA63J-331X	MG RESISTOR	330Ω 1/16W J		R734	NRSA63J-222X	MG RESISTOR	2.2kΩ 1/16W J	

Symbol No.	Part No.	Part Name	Description	Local
R735	NRSA63J-222X	MG RESISTOR	2.2kΩ 1/16W J	
R736	NRSA63J-222X	MG RESISTOR	2.2kΩ 1/16W J	
R737	NRSA63J-0R0X	MG RESISTOR	0Ω 1/16W J	G455
R738	NRSA63J-472X	MG RESISTOR	4.7kΩ 1/16W J	G455
R739	NRSA63J-472X	MG RESISTOR	4.7kΩ 1/16W J	G455
R740	NRSA63J-472X	MG RESISTOR	4.7kΩ 1/16W J	G455
R741	NRSA63J-103X	MG RESISTOR	10kΩ 1/16W J	
R743	NRSA63J-103X	MG RESISTOR	10kΩ 1/16W J	
R744	NRSA63J-103X	MG RESISTOR	10kΩ 1/16W J	
R745	NRSA63J-103X	MG RESISTOR	10kΩ 1/16W J	
R746	NRSA63J-103X	MG RESISTOR	10kΩ 1/16W J	
R747	NRSA63J-472X	MG RESISTOR	4.7kΩ 1/16W J	
R748	NRSA63J-472X	MG RESISTOR	4.7kΩ 1/16W J	
R749	NRSA63J-472X	MG RESISTOR	4.7kΩ 1/16W J	
R750	NRSA63J-103X	MG RESISTOR	10kΩ 1/16W J	
R751	NRSA63J-103X	MG RESISTOR	10kΩ 1/16W J	
R752	NRSA63J-473X	MG RESISTOR	47kΩ 1/16W J	
R753	NRSA63J-473X	MG RESISTOR	47kΩ 1/16W J	
R754	NRSA63J-821X	MG RESISTOR	820Ω 1/16W J	
R755	NRSA63J-106X	MG RESISTOR	10MΩ 1/16W J	
R756	NRSA63J-473X	MG RESISTOR	47kΩ 1/16W J	
R757	NRSA63J-222X	MG RESISTOR	2.2kΩ 1/16W J	
R758	NRSA63J-473X	MG RESISTOR	47kΩ 1/16W J	
R760	NRSA63J-473X	MG RESISTOR	47kΩ 1/16W J	
R763	NRSA63J-103X	MG RESISTOR	10kΩ 1/16W J	
R771	NRSA63J-473X	MG RESISTOR	47kΩ 1/16W J	
R772	NRSA63J-103X	MG RESISTOR	10kΩ 1/16W J	
R774	NRSA63J-473X	MG RESISTOR	47kΩ 1/16W J	
R775	NRSA63J-473X	MG RESISTOR	47kΩ 1/16W J	G455
R776	NRSA63J-473X	MG RESISTOR	47kΩ 1/16W J	G405
R777	NRSA63J-473X	MG RESISTOR	47kΩ 1/16W J	
R783	NRSA63J-103X	MG RESISTOR	10kΩ 1/16W J	
R785	NRSA63J-0R0X	MG RESISTOR	0Ω 1/16W J	
R801	NRSA63J-473X	MG RESISTOR	47kΩ 1/16W J	G455
R802	NRSA63J-473X	MG RESISTOR	47kΩ 1/16W J	G455
R803	NRSA63J-101X	MG RESISTOR	100Ω 1/16W J	G455
R804	NRSA63J-473X	MG RESISTOR	47kΩ 1/16W J	G405
R804	NRSA63J-223X	MG RESISTOR	22kΩ 1/16W J	G455
R805	NRSA63J-104X	MG RESISTOR	100kΩ 1/16W J	G455
R806	NRSA63J-103X	MG RESISTOR	10kΩ 1/16W J	G455
R807	NRSA63J-104X	MG RESISTOR	100kΩ 1/16W J	G455
R808	NRSA63J-331X	MG RESISTOR	330Ω 1/16W J	G455
R809	NRSA63J-223X	MG RESISTOR	22kΩ 1/16W J	G455
R810	NRSA63J-101X	MG RESISTOR	100Ω 1/16W J	G455
R811	NRSA63J-473X	MG RESISTOR	47kΩ 1/16W J	G405
R901	QRE142J-102X	C RESISTOR	1kΩ 1/4W J	
R902	NRSA02J-912X	MG RESISTOR	9.1kΩ 1/10W J	
R903	NRSA02J-472X	MG RESISTOR	4.7kΩ 1/10W J	
R971	NRS181J-222X	MG RESISTOR	2.2kΩ 1/8W J	
R972	NRS181J-222X	MG RESISTOR	2.2kΩ 1/8W J	
R976	NRSA02J-273X	MG RESISTOR	27kΩ 1/10W J	
R977	NRSA02J-123X	MG RESISTOR	12kΩ 1/10W J	
L1	QQL244J-4R7Z	INDUCTIOR	4.7uH J	
L401	NQL114K-470X	INDUCITOR	47uH K	
L402	NQL114K-470X	INDUCITOR	47uH K	
L404	NQL114K-470X	INDUCITOR	47uH K	
L541	NQL114K-470X	INDUCITOR	47uH K	
L543	NQL114K-470X	INDUCITOR	47uH K	
L544	NQL114K-470X	INDUCITOR	47uH K	
L701	QQL244J-4R7Z	INDUCTIOR	4.7uH J	
L901	QQR0703-001	CHOKO COIL		
CN501	QGB2027M4-22S	CONNECTOR	B-B (1-22)	
CN701	VMC0334-001	CONNECTOR		
CN901	QNZ0611-001	16P CONNECTOR		
J1	QNB0100-002	CAR ANT JACK		
J321	QNN0519-001	SURROUND JACK		
J801	QNZ0095-001	CONNECTOR		G455
TU1	QAU0312-001	TUNER		
X31	QAX0616-001Z	CRYSTAL	10.250MHz	
X401	QAX0413-001Z	CRYSTAL	16.9344MHz	
X701	QAX0617-001Z	CRYSTAL	12.500MHz	
X702	QAX0401-001	CRYSTAL	32.768KHz	

Switch board

Block No. [0][2][0][0]

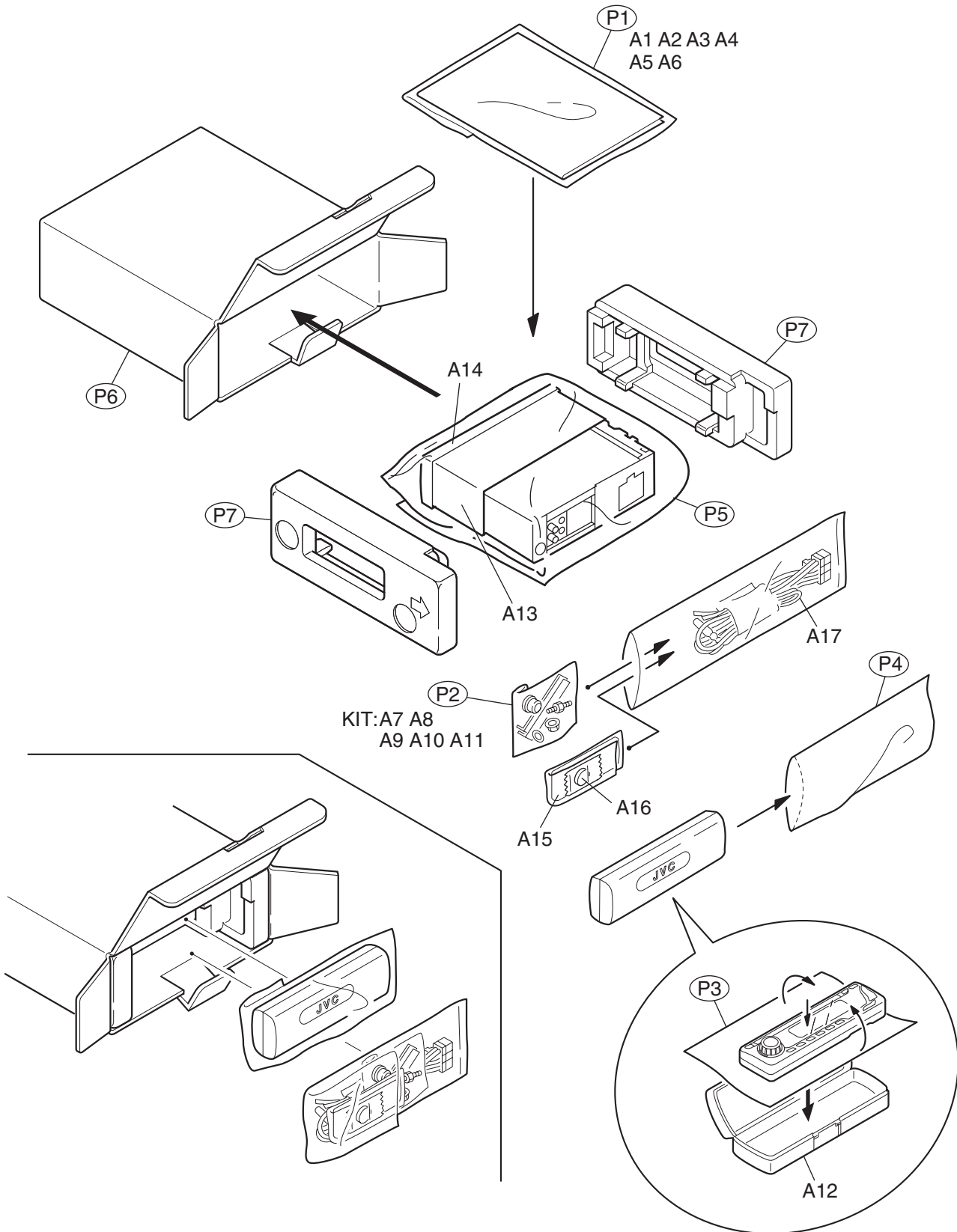
Symbol No.	Part No.	Part Name	Description	Local
IC661	PT6523LQ	IC		
IC681	RPM7338-V4	REMOCON RCV		
Q670	2SB624/4/-X	TRANSISTOR		
Q671	UN2211-X	TRANSISTOR		
D630	SML-310LT/MN/-X	LED		
D631	SML-310VT/JK/-X	LED		G405
D631	LNJ308G81/1-3/X	LED		G455
D632	SML-310VT/JK/-X	LED		G405
D632	LNJ308G81/1-3/X	LED		G455
D633	SML-310VT/JK/-X	LED		G405
D633	LNJ308G81/1-3/X	LED		G455
D634	SML-310VT/JK/-X	LED		G405
D634	LNJ308G81/1-3/X	LED		G455
D635	SML-310VT/JK/-X	LED		G405
D635	LNJ308G81/1-3/X	LED		G455
D636	SML-310VT/JK/-X	LED		
D637	SML-310VT/JK/-X	LED		
D638	SML-310VT/JK/-X	LED		G405
D638	LNJ308G81/1-3/X	LED		G455
D639	SML-310VT/JK/-X	LED		G405
D639	LNJ308G81/1-3/X	LED		G455
D640	SML-310VT/JK/-X	LED		G405
D640	LNJ308G81/1-3/X	LED		G455
D641	SML-310VT/JK/-X	LED		G405
D641	LNJ308G81/1-3/X	LED		G455
D642	SML-310VT/JK/-X	LED		G405
D642	LNJ308G81/1-3/X	LED		G455
D643	SML-310VT/JK/-X	LED		G405
D643	LNJ308G81/1-3/X	LED		G455
D644	LNJ308G81/1-3/X	LED		
D645	LNJ308G81/1-3/X	LED		
D646	SML-310VT/JK/-X	LED		G405
D646	LNJ308G81/1-3/X	LED		G455
D647	SML-310VT/JK/-X	LED		
D647	LNJ308G81/1-3/X	LED		G455
D648	SML-310VT/JK/-X	LED		G405
D648	LNJ308G81/1-3/X	LED		G455
D649	SML-310VT/JK/-X	LED		G405
D649	LNJ308G81/1-3/X	LED		G455
D650	SML-310VT/JK/-X	LED		G405
D650	LNJ308G81/1-3/X	LED		G455
D651	SML-310VT/JK/-X	LED		G405
D651	LNJ308G81/1-3/X	LED		G455
D652	NSPW310BS/BRS/	LED		
D653	NSPW310BS/BRS/	LED		
D661	1SS355-X	SI DIODE		
D662	UDZS5.1B-X	Z DIODE		
D681	UDZS6.2B-X	Z DIODE		
C661	NBE20JM-106X	TA E CAPACITOR	10uF 6.3V M	
C662	NCS31HJ-681X	C CAPACITOR	680pF 50V J	
C663	NCB31HK-223X	C CAPACITOR	0.022uF 50V K	
C681	NBE20JM-475X	TA E CAPACITOR	4.7uF 6.3V M	
C686	NCB31HK-223X	C CAPACITOR	0.022uF 50V K	
C687	NCB31HK-223X	C CAPACITOR	0.022uF 50V K	
R601	NRSA63J-821X	MG RESISTOR	820Ω 1/16W J	
R602	NRSA63J-821X	MG RESISTOR	820Ω 1/16W J	
R603	NRSA63J-122X	MG RESISTOR	1.2kΩ 1/16W J	
R604	NRSA63J-182X	MG RESISTOR	1.8kΩ 1/16W J	
R605	NRSA63J-272X	MG RESISTOR	2.7kΩ 1/16W J	
R606	NRSA63J-821X	MG RESISTOR	820Ω 1/16W J	
R607	NRSA63J-821X	MG RESISTOR	820Ω 1/16W J	
R608	NRSA63J-122X	MG RESISTOR	1.2kΩ 1/16W J	
R609	NRSA63J-182X	MG RESISTOR	1.8kΩ 1/16W J	
R610	NRSA63J-821X	MG RESISTOR	820Ω 1/16W J	
R611	NRSA63J-821X	MG RESISTOR	820Ω 1/16W J	
R612	NRSA63J-122X	MG RESISTOR	1.2kΩ 1/16W J	
R613	NRSA63J-182X	MG RESISTOR	1.8kΩ 1/16W J	
R614	NRSA63J-272X	MG RESISTOR	2.7kΩ 1/16W J	
R615	NRSA63J-392X	MG RESISTOR	3.9kΩ 1/16W J	
R630	NRSA02J-821X	MG RESISTOR	820Ω 1/10W J	

Symbol No.	Part No.	Part Name	Description	Local
R631	NRSA02J-471X	MG RESISTOR	470Ω 1/10W J	
R633	NRSA02J-681X	MG RESISTOR	680Ω 1/10W J	G405
R633	NRSA02J-331X	MG RESISTOR	330Ω 1/10W J	G455
R637	NRSA02J-821X	MG RESISTOR	820Ω 1/10W J	
R639	NRSA02J-331X	MG RESISTOR	330Ω 1/10W J	
R641	NRSA02J-331X	MG RESISTOR	330Ω 1/10W J	
R643	NRSA02J-471X	MG RESISTOR	470Ω 1/10W J	
R645	NRSA02J-471X	MG RESISTOR	470Ω 1/10W J	
R647	NRSA02J-471X	MG RESISTOR	470Ω 1/10W J	
R649	NRS181J-391X	MG RESISTOR	390Ω 1/8W J	
R650	NRS181J-391X	MG RESISTOR	390Ω 1/8W J	
R651	NRSA02J-471X	MG RESISTOR	470Ω 1/10W J	
R661	NRSA63J-222X	MG RESISTOR	2.2kΩ 1/16W J	
R662	NRSA63J-222X	MG RESISTOR	2.2kΩ 1/16W J	
R663	NRSA63J-184X	MG RESISTOR	180kΩ 1/16W J	
R664	NRSA63J-103X	MG RESISTOR	10kΩ 1/16W J	
R665	NRSA63J-513X	MG RESISTOR	51kΩ 1/16W J	
R666	NRSA63J-103X	MG RESISTOR	10kΩ 1/16W J	
R667	NRSA63J-103X	MG RESISTOR	10kΩ 1/16W J	
R668	NRSA63J-103X	MG RESISTOR	10kΩ 1/16W J	
R670	NRS181J-471X	MG RESISTOR	470Ω 1/8W J	
R671	NRSA63J-473X	MG RESISTOR	47kΩ 1/16W J	
R672	NRS181J-102X	MG RESISTOR	1kΩ 1/8W J	
R681	NRSA63J-471X	MG RESISTOR	470Ω 1/16W J	
R682	NRSA63J-103X	MG RESISTOR	10kΩ 1/16W J	
R686	NRSA63J-101X	MG RESISTOR	100Ω 1/16W J	
R687	NRSA63J-473X	MG RESISTOR	47kΩ 1/16W J	
R688	NRSA63J-473X	MG RESISTOR	47kΩ 1/16W J	
CJ601	VMC0335-001	PANEL CONNECTOR		
JS686	QSW0793-001	ROTARY ENCODER		
S601	NSW0124-001X	TACT SW		
S602	NSW0124-001X	TACT SW		
S603	NSW0124-001X	TACT SW		
S604	NSW0124-001X	TACT SW		
S605	NSW0124-001X	TACT SW		
S606	NSW0124-001X	TACT SW		
S607	NSW0124-001X	TACT SW		
S608	NSW0124-001X	TACT SW		
S609	NSW0124-001X	TACT SW		
S610	NSW0124-001X	TACT SW		
S611	NSW0124-001X	TACT SW		
S612	NSW0124-001X	TACT SW		
S613	NSW0124-001X	TACT SW		
S614	NSW0124-001X	TACT SW		
S615	NSW0124-001X	TACT SW		
S616	NSW0124-001X	TACT SW		
S617	NSW0124-001X	TACT SW		
S618	NSW0124-001X	TACT SW		

<MEMO>

Packing materials and accessories parts list

Block No. M 3 M M



Packing and accessories

Block No. [M][3][M][M]

△ Symbol No.	Part No.	Part Name	Description	Local
A 1	GET0180-002A	INST BOOK	PER	
A 2	GET0180-001A	INSTALL MANUAL	ENG CHI(TAIWAN) THA ARA	
A 3	GET0180-003A	INSTALL MANUAL	ENG CHI(TAIWAN) THA ARA	
A 4	GET0180-004A	INSTALL MANUAL	PER	
A 5	GET0208-003A	DEMO MODE SHEET		
A 6	LVT1120-003A	MP3 GUIDE		
A 7	VKZ4027-202	PLUG NUT		
A 8	VKH4871-001SS	MOUNT BOLT		
A 9	VKZ4328-001	LOCK NUT		
A 10	WNS5000Z	WASHER		
A 11	GE40130-002A	HOOK	(x2)	
A 12	FSJB3002-00C	HARD CASE		
A 13	GE20137-003A	MOUNTING SLEEVE		
A 14	GE20135-004A	TRIM PLATE		
A 15	RM-RK50	REMOCON UNIT		
A 16	-----	BATTERY		
A 17	QAM0013-006	16P CORD ASSY		
KIT	SRW-200J	SCREW PARTS KIT		
P 1	FSPG4002-001	POLY BAG		
P 2	QPA00801205	POLY BAG	8cm x 12cm	
P 3	FSYH4036-068	SHEET		
P 4	QPA01003003	POLY BAG	10cm x 30cm	
P 5	QPC03004315P	POLY BAG	30cm x 43cm	
P 6	GE31090-001A	CARTON		G405
P 6	GE31223-002A	CARTON		G455
P 7	GE10070-002A	EPS CUSHION		